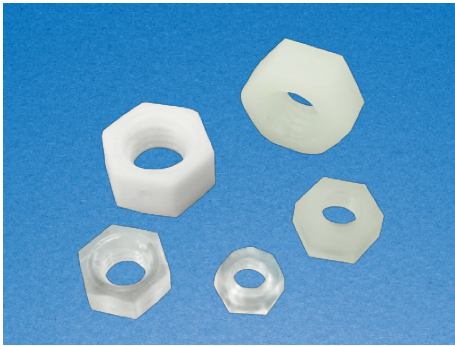


RCCN 日成PN型塑胶螺母 Plastic Nut



材质:PC(透明),PA66(本色),PP(白色).

防火等级:94V-2,不易老化,绝缘度高.

用途:PC板,机板及其它产品固定用.

特点:质量轻,绝缘,抗干扰,防锈,耐酸碱,耐候性强.尼龙耐扭比PC强,

PP耐酸碱性强,PC透明美观.

备注:PN-3C为PC材质,PN-5N材质为NYLON66,PN-6PP材质为PP

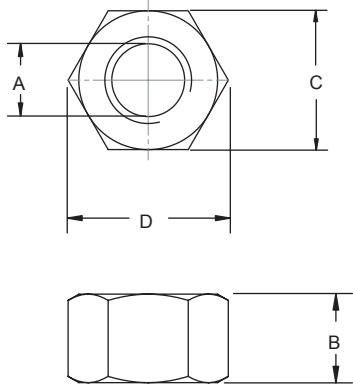
Material:PC(natural),PA66(natural),PP(white),

fireproof : 94V-2

Usage:PC board,panel and to fix others.

Characteristics:light , insulated.

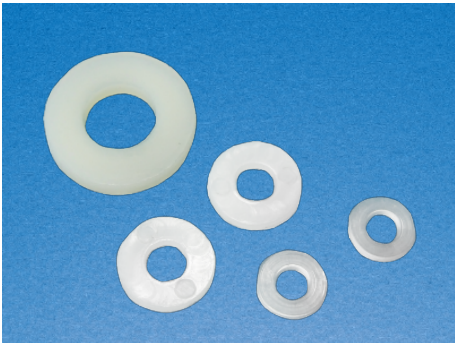
Marks:PN-3C is made of PC,PN-5N are made of NYLON66,PN-6PP is PP



单位/Unit:mm

型号	Item No.	螺牙 A	D	B	C	包装
NYLON	PC或orPP	THREAD	mm	mm	mm	Packing
PN-2N	PN-2PC	M2×0.25	3.0	1.6	4.0	1000pcs
PN-3N	PN-3PC	M3×0.5	6.4	2.4	5.6	
PN-4N	PN-4PC	M4×0.7	8.1	3.2	7.0	
PN-5N	PN-5PC	M5×0.8	9.2	4.0	8.0	
PN-6N	PN-6PP	M6×1.0	11.5	5.0	10.0	500pcs
PN-8N	PN-8PP	M8×1.25	14.5	6.4	12.8	
PN-10N	PN-10PP	M10×1.5	19.2	8.0	16.7	
PN-12N	PN-12PP	M12×1.75	11	19	22	
PN-16N	PN-16PP	M16×2.0	12	24	27	
PN-18N	PN-18PP	M18×2.0	13	26	29	
PN-20N	PN-20PP	M20×2.0	14.1	29	39	

RCCN 日成PW型塑胶垫片 Plastic Washer



材质:PC(透明),PA66(本色),PP(白色),防火等级94V-2,不易老化,绝缘度高.

用途:PC板,机板及其它产品固定用.

特点:质量轻,绝缘,抗干扰,防锈,耐酸碱,耐候性强

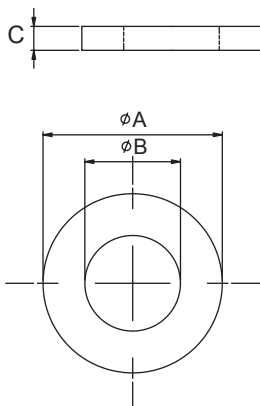
型号备注:PW-3PC为PC材质,PW-3PN材质为NYLON66,PW-3PP材质为PP

Material:PC(natural),PA66(natural),PP(white),fireproof 94V-2

Usage:PC board,panel and to fix others.

Characteristics:light , insulated.

Marks:PW-3C is made of PC,PW-5N are made of NYLON66,PW-6PP is PP



单位/Unit:mm

型号	适用螺丝	A	B	C	包装
ItemNo.	Suitable screw	mm	mm	mm	Packing
	M				
PW-M2	M2	5	2.1	0.5	每包 1000pcs
PW-M3	M3	8	3.2	0.8	
PW-M4	M4	9	4.3	0.8	
PW-M5	M5	11	5.3	1.0	
PW-M6	M6	12	6.4	1.7	每包 500pcs
PW-M8	M8	15	8.5	1.7	
PW-M10	M10	20	10.5	1.7	
PW-M12	M12	23.5	12.5	1.8	
PW-M16	M16	31	16.5	2.4	
PW-M20	M20	34	20.5	2.4	
PW-12		22	12	1.5	
PW-14		24	14	1.5	
PW-12.7		23.8	12.7	1.6	
PW-15.8		25.4	15.8	2.4	
PW-19		27	19	2.4	